

PROFEC A / PROFEC B / T.V.V.C.

Also available are Application Specific Diagrams for:

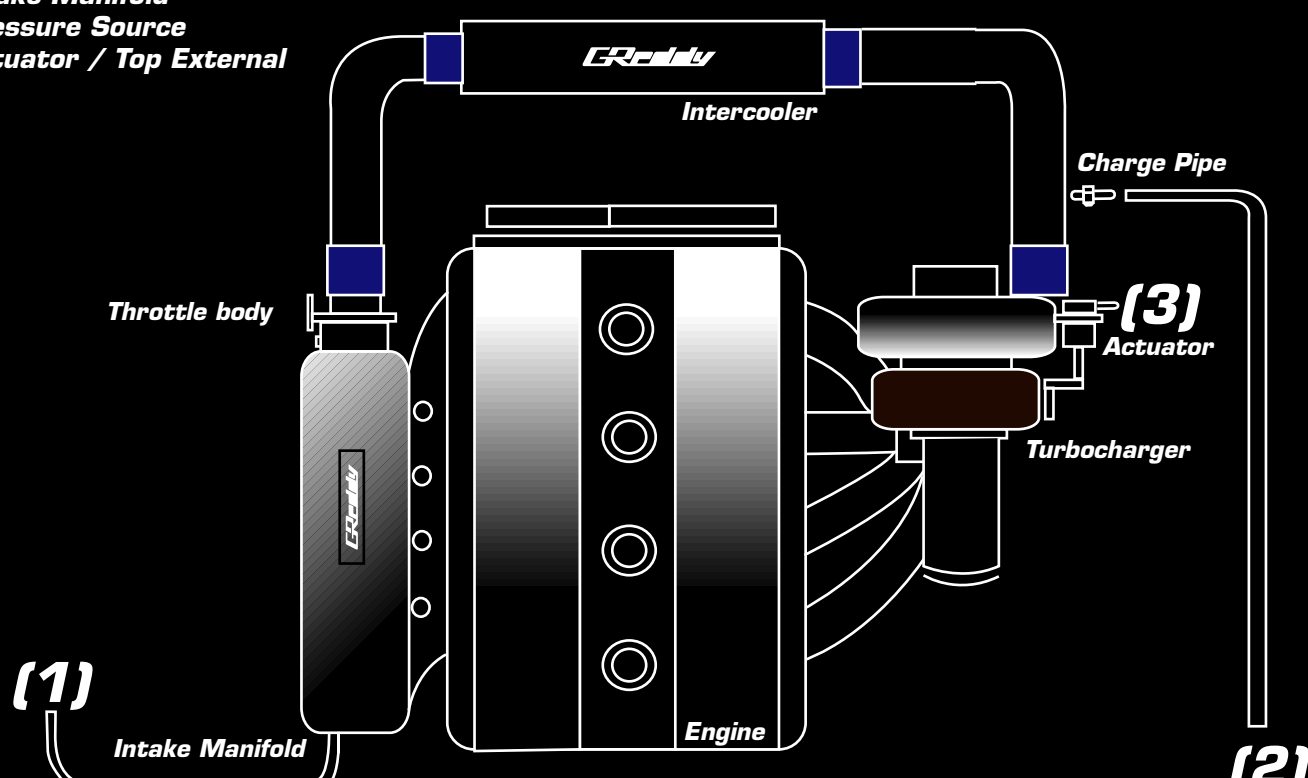
1993-97 Supra (JZA80)

1993-96 RX-7 (FD3S)

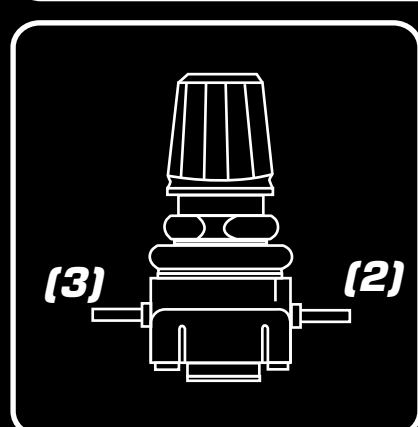
1990-98 3000GT (Z16A)

Standard Actuator Wastegate Installation

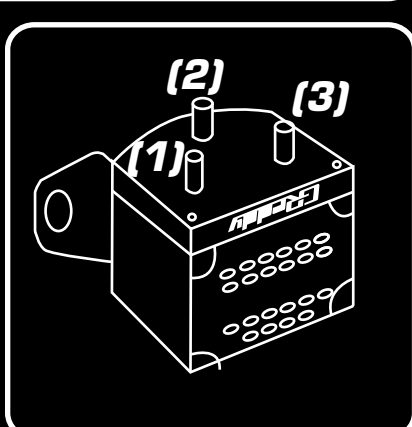
(1) Intake Manifold
(2) Pressure Source
(3) Actuator / Top External



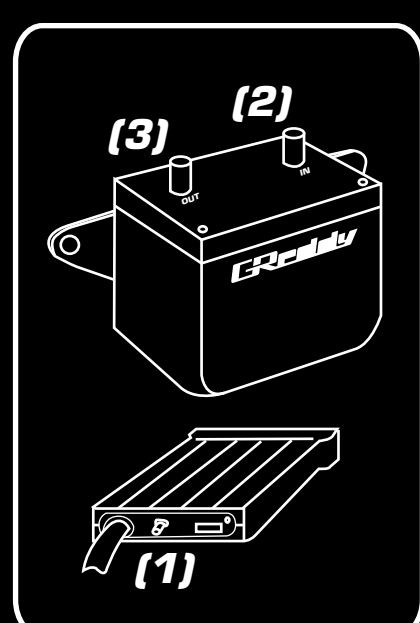
Port	TVVC	A-spec	B-spec
(1)	Not Used	A	Head unit
(2)	IN	B	IN
(3)	OUT	C	OUT



T.V.V.C. MINI



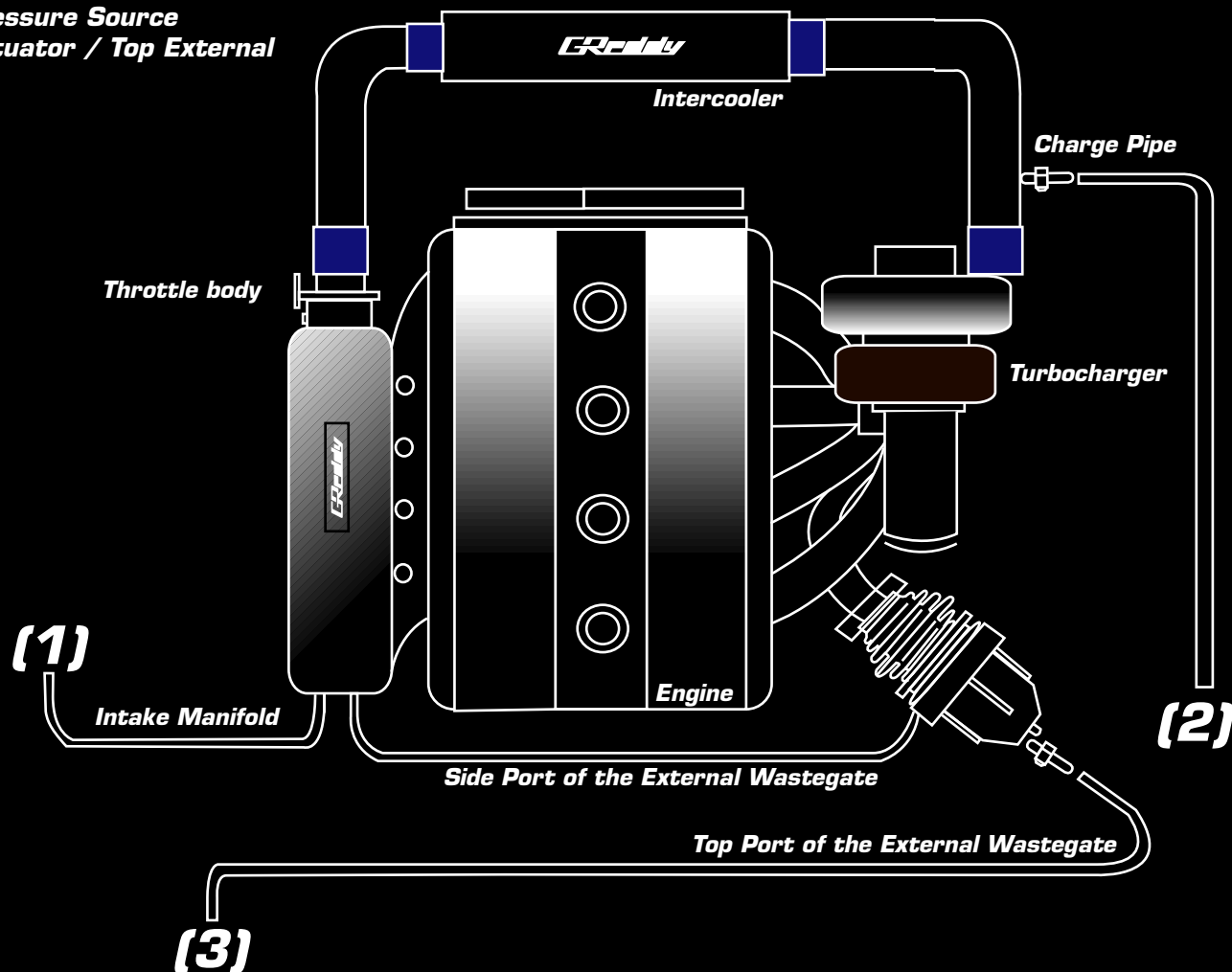
PProfec A-spec



PProfec B-spec

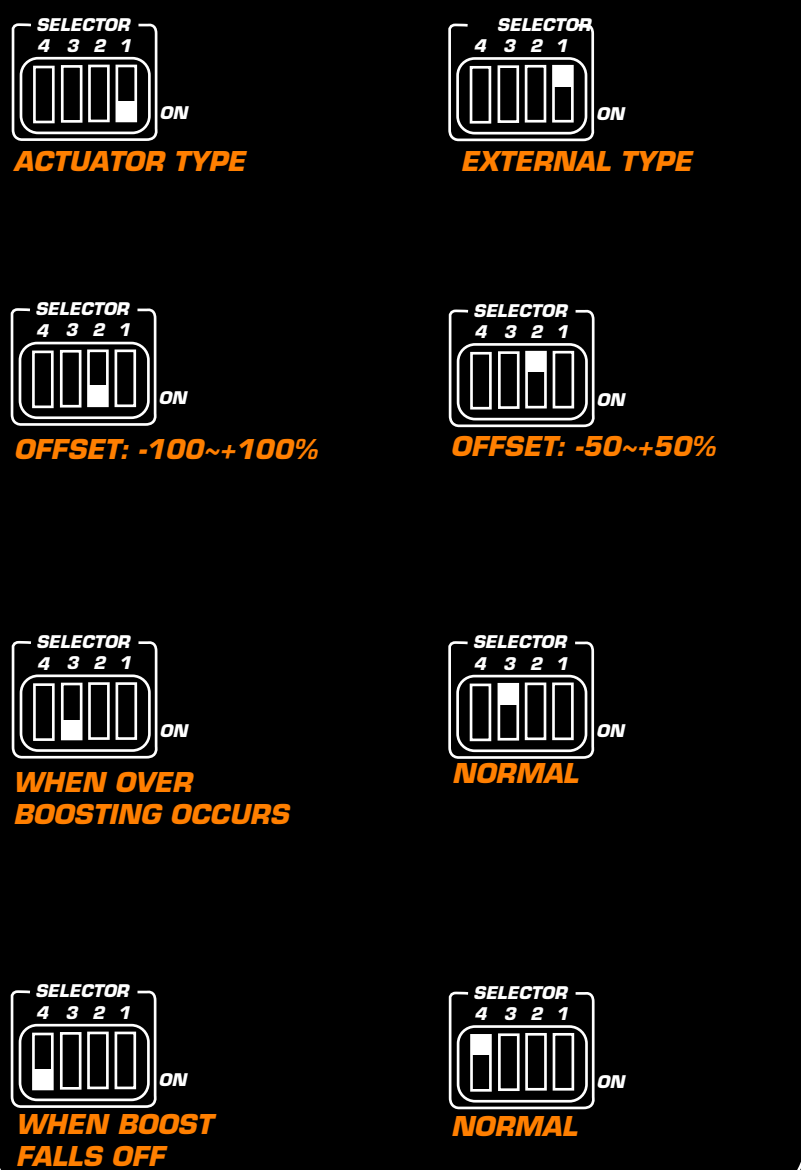
Standard External Wastegate Installation

(1) Intake Manifold
(2) Pressure Source
(3) Actuator / Top External

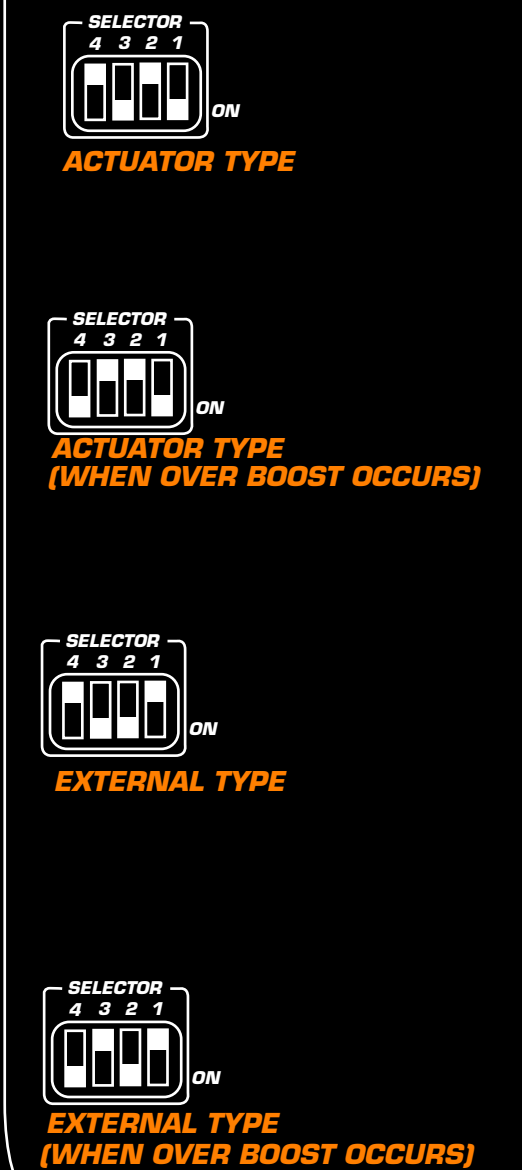


PProfec Dip Switch Settings

A Spec. Settings



B Spec. Settings



- These tips should not be used to replace the normal instruction manual. Always read and understand the instruction manual fully, before attempting any installation.
- Always use the provided filters on the suggested hose. (See Boost Controller Instruction)
- Secure all line with wire ties or hose clamps
- Make sure the dip switches on the back of the head unit is on the correct setting.